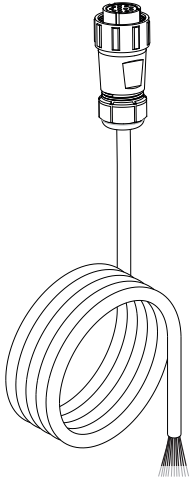
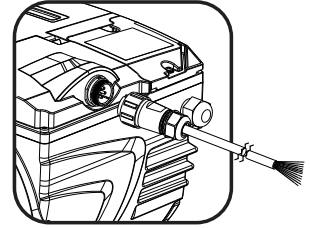
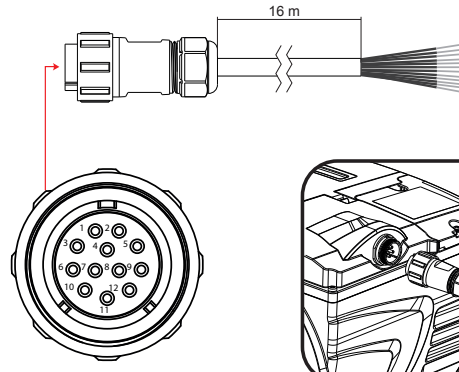
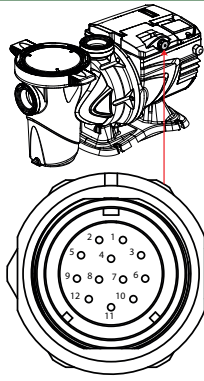


# QUICK GUIDE

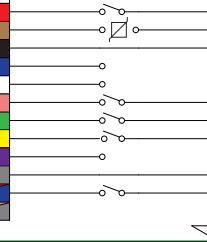
## E.SWIM - E.PRO CONNECTION CABLE KIT



05/19 cod. 60194528



Pin n	Signal	Wire Color
1	Digital input IN0_D	Red
2	Analog input IN0_A	Brown
3	GND	Black
4	Relais common	Blue
5	Relais NO	Green
6	Digital input IN1_D	Pink
7	Digital input IN2_D	Yellow
8	Digital input IN3_D	Light Green
9	Relais NC	Purple
10	GND	White
11	Digital input IN4_D	Light Blue
12	Not used	Blue



**1**

**SYSTEM STAND-BY**  
TIMER B - SUN 12:05

0 rpm 3 W  
0.0 m3/h 0.0 m

MON 11:27

**2**

**MENU**

4  
Timer Control  
External Control  
Priming

**3**

**External Control**

Status  
External Speeds  
Settings

ESC Enter

**External Speeds**

Control Mode: Flow

X1: 5.0 m3/h X2: 12.0 m3/h  
X3: 18.0 m3/h X4: 25.0 m3/h

ESC Enter

**4**

**External Control**

External Speeds  
Settings  
Inputs

ESC Enter

**Settings**

Config: Override

Source Speeds: Digital IN

Start Input: IN-0

ESC Enter

- DISABLE
- ENABLE
- VERRIDE
- IN-0
- SPEEDS

- DIGITAL IN
- ANALOG
- 0-10V / 4-20mA

**5**

**External Control**

Settings  
Inputs  
Output

ESC Enter

**Inputs**

IN4 Type: Normally Open  
IN0 Type: Normally Open  
IN1 Type: Normally Open

ESC Enter

N.O  
N.C

**6**

**External Control**

Inputs  
Output  
Status

ESC Enter

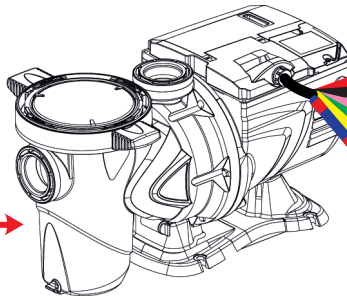
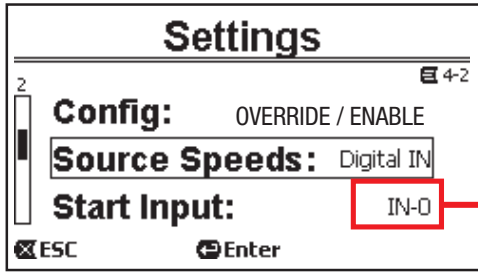
**Output**

Config: FAULT

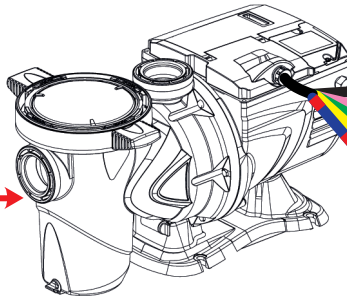
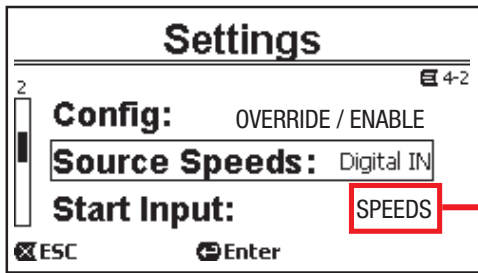
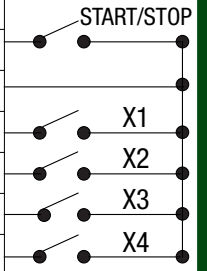
ESC Enter

**7**

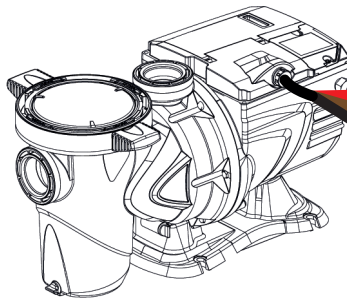
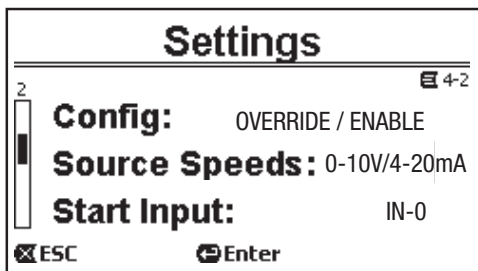
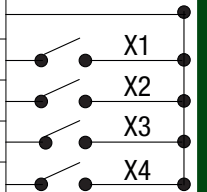
**AUTO**



Pin n	Color	Signal
1	RED	INO_D
3	BLACK	GND
6	PINK	IN1_D
7	GREEN	IN2_D
8	YELLOW	IN3_D
11	RED/BLUE	IN4_D



Pin n	Color	Signal
3	BLACK	GND
6	PINK	IN1_D
7	GREEN	IN2_D
8	YELLOW	IN3_D
11	RED/BLUE	IN4_D



Pin n	Color	Signal
1	RED	INO_D
2	BROWN	IN1_A
3	BLACK	GND

